

# ARRAY PRO

## Power of the bright

Explore the scope of lighting by taking control of the luminosity.





# ARRAY PRO

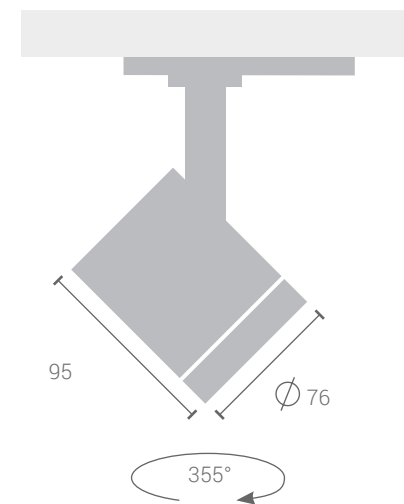
## Track | 4x Spotlight A (with AC-DC Driver)

Introducing track-mounted spotlights that achieve a well-engineered balance between function and aesthetic to enhance the subject or the place they illuminate. This system offers maximum flexibility as the fixtures can be relocated along the track to refocus and achieve the desired pitch and luminosity. These fixtures come with an integrated driver attachment.



Warranty 5 years

Colors Available

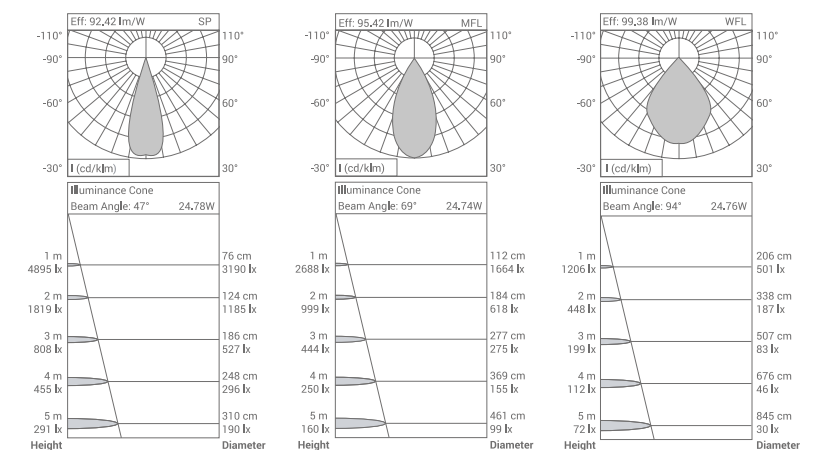


All dimensions are in mm

For product ordering codes and installation refer to end pages



Max Lamp Lumen :	2500 lm
System Wattage :	25 W (max)
DC Current :	850 mA
Efficiency :	>90%
Input :	220 - 240V ~ 50/60 Hz
CCT (K) :	2200K - 5700K
Driver :	Integrated AC-DC
Tunable :	On Request
Dimmable :	On Request
Beam Angle :	FWTM/FWHM 47°/34° (Narrow) FWTM/FWHM 69°/50° (Medium) FWTM/FWHM 94°/81° (Wide)
UGR Value	< 19
CRI :	97 (max)



# ARRAY PRO

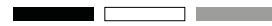
## Track | 4x Spotlight B (with BLE Driver)

Introducing ceiling-recessed downlights that highlight the desired subject or place and provide optimum illumination. These downlights are well suited for ambient lighting in an environment. These luminaires are BLE enabled.



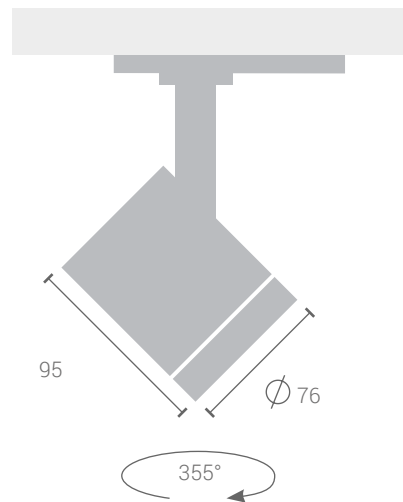
Warranty 5 years

Colors Available



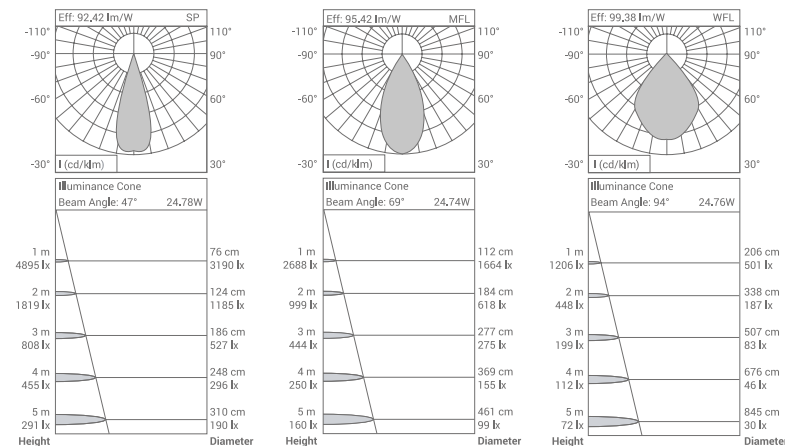
Max Lamp Lumen :	2200 lm
System Wattage :	22 W (max)
DC Current :	800 mA
Efficiency :	>90%
Input :	220 - 240V ~ 50/60 Hz
CCT (K) :	Tunable 2200K to 5700K
Driver :	BLE Integrated
Dimmable :	0 - 100%
Beam Angle :	FWTM/FWHM 47°/34° (Narrow) FWTM/FWHM 69°/50° (Medium) FWTM/FWHM 94°/81° (Wide)
UGR Value	< 19
CRI :	>90

BLE SMART



All dimensions are in mm

For product ordering codes and installation refer to end pages



# ARRAY PRO

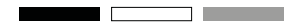
## Track | 4x Spotlight C (with LVDC Driver)

Introducing pendant lighting fixtures that are suspended from the ceiling to achieve a techno-aesthetic look. This unique range of pendant lights is perfect for ambient lighting. These fixtures use low voltage DC-DC driver.

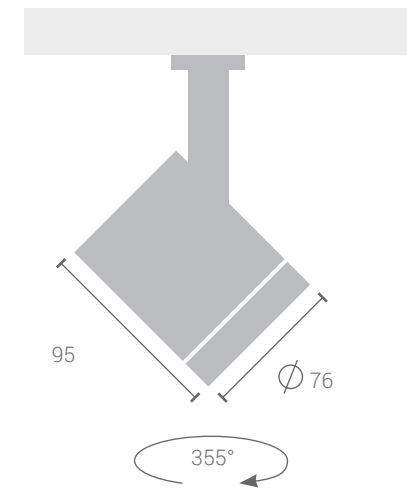


Warranty 5 years

Colors Available

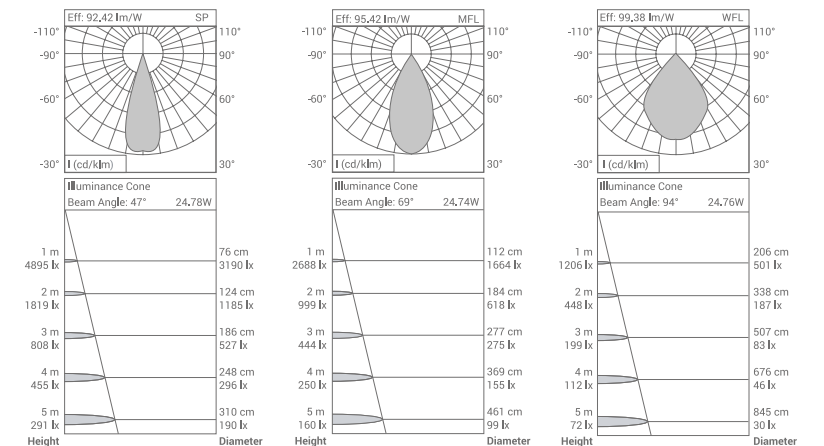


Max Lamp Lumen :	2000 lm
System Wattage :	20 W (max)
DC Current :	700 mA
Efficiency :	>90%
Input :	220 - 240V ~ 50/60 Hz
CCT (K) :	2200K - 5700K
Driver :	Low Voltage DC-DC Integrated
Tunable :	On Request
Dimmable :	On Request
Beam Angle :	FWTM/FWHM 47°/34° (Narrow) FWTM/FWHM 69°/50° (Medium) FWTM/FWHM 94°/81° (Wide)
UGR Value	< 19
CRI :	97 (max)



All dimensions are in mm

For product ordering codes and installation refer to end pages



# ARRAY PRO

## Recessed | 4x Downlight

Introducing ceiling-recessed downlights that highlight the desired subject or place and provide optimum illumination. These downlights are well suited for ambient lighting in an environment.



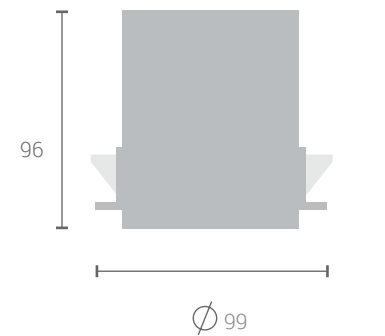
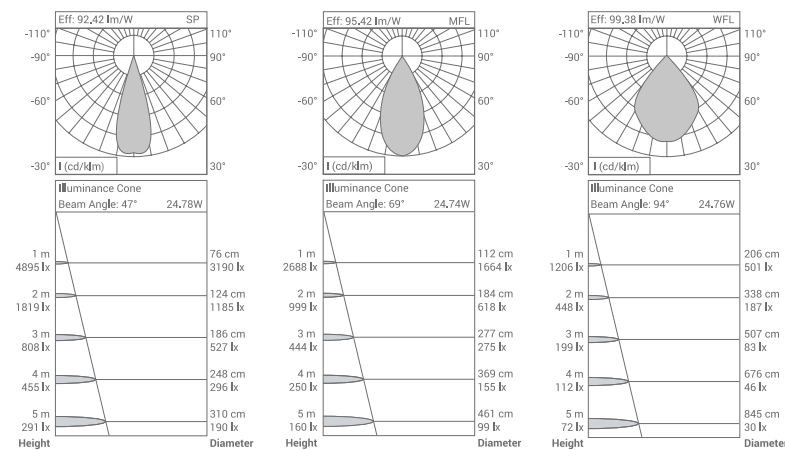
Warranty 5 years

Colors Available

Max Lamp Lumen : 2500 lm  
 System Wattage : 25 W (max)  
 DC Current : 850 mA  
 Efficiency : >90%  
 Input : 220 - 240V ~ 50/60 Hz  
 CCT (K) : 2200K - 5700K  
 Driver : Remote Electronic  
 Tunable : On Request  
 Dimmable : On Request  
 Beam Angle : FWTM/FWHM 47°/34° (Narrow)  
 FWTM/FWHM 69°/50° (Medium)  
 FWTM/FWHM 94°/81° (Wide)

UGR Value < 19

CRI : 97 (max)



Cutout Diameter : 84 mm  
 All dimensions are in mm

For product ordering codes and installation refer to end pages



# ARRAY PRO

## Pendant | 4x

Introducing pendant lighting fixtures that are suspended from the ceiling to achieve a techno-aesthetic look. This unique range of pendant lights is perfect for ambient lighting.



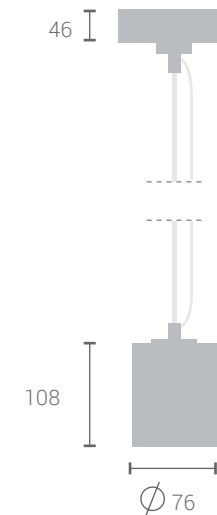
Warranty 5 years

Colors Available

Max Lamp Lumen : 2500 lm  
 System Wattage : 25 W (max)  
 DC Current : 850 mA  
 Efficiency : >90%  
 Input : 220 - 240V ~ 50/60 Hz  
 CCT (K) : 2200K - 5700K  
 Driver : Integrated Electronic  
 Tunable : On Request  
 Dimmable : On Request  
 Beam Angle : FWTM/FWHM 47°/34° (Narrow)  
 FWTM/FWHM 69°/50° (Medium)  
 FWTM/FWHM 94°/81° (Wide)

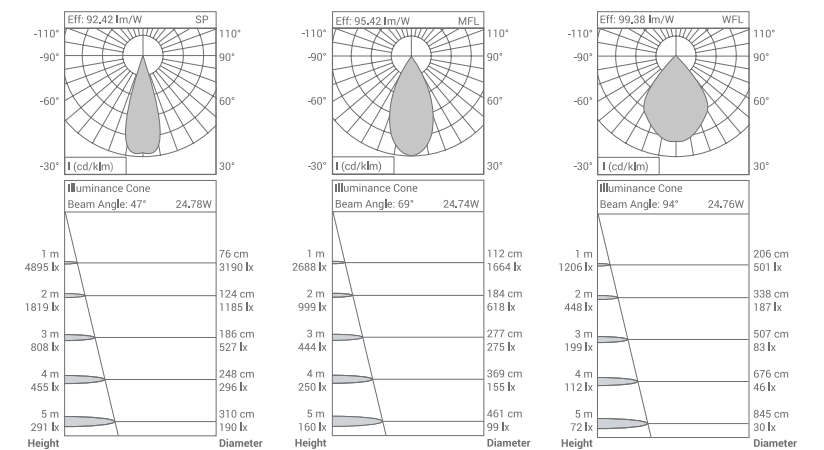
UGR Value < 19

CRI : 97 (max)



All dimensions are in mm

For product ordering codes and installation refer to end pages



# Product Ordering Code (by application)

## ARRAY PRO 4x (A/B/C)

	Item Description	Output (Lumens)	Watt (Max)	DC Current (mA)	Dimensions (mm)	Cutout (mm)	Tunable	Dimmable	Page No.
TRACK INTEGRATED	PL05876-White-Narrow PL05941-Black-Narrow PL06006-Silver-Narrow PL05877-White-Medium PL05942-Black-Medium PL06007-Silver-Medium PL05878-White-Wide PL05943-Black-Wide PL06008-Silver-Wide	2500	25	850	Ø76 * 95	-	On Request	On Request	61
	PL06061-White-Narrow PL06076-Black-Narrow PL06091-Silver-Narrow PL06062-White-Medium PL06077-Black-Medium PL06092-Silver-Medium PL06063-White-Wide PL06078-Black-Wide PL06093-Silver-Wide	2200	22	800	Ø76 * 95	-	Yes	0 - 100 %	62
	PL06106-White-Narrow PL06121-Black-Narrow PL06136-Silver-Narrow PL06107-White-Medium PL06122-Black-Medium PL06137-Silver-Medium PL06108-White-Wide PL06123-Black-Wide PL06138-Silver-Wide	2000	20	700	Ø76 * 95	-	On Request	On Request	63

RECESSED	Item Description	Output (Lumens)	Watt (Max)	DC Current (mA)	Dimensions (mm)	Cutout (mm)	Tunable	Dimmable	Page No.
	PL05873-White-Narrow PL05938-Black-Narrow PL06003-Silver-Narrow PL05874-White-Medium PL05939-Black-Medium PL06004-Silver-Medium PL05875-White-Wide PL05940-Black-Wide PL06005-Silver-Wide	2500	25	850	Ø99 * 96	Ø84	On Request	On Request	64

PENDANT	Item Description	Output (Lumens)	Watt (Max)	DC Current (mA)	Dimensions (mm)	Cutout (mm)	Tunable	Dimmable	Page No.
	PL05879-White-Narrow PL05944-Black-Narrow PL06009-Silver-Narrow PL05880-White-Medium PL05945-Black-Medium PL06010-Silver-Medium PL05881-White-Wide PL05946-Black-Wide PL06011-Silver-Wide	2500	25	850	Ø76 * 108	-	On Request	On Request	65

Driver  
Integrated AC-DC (A)  
BLE Integrated (B)  
Low Voltage DC-DC Integrated (C)  
Remote Electronic

4x Track  
(A/B/C)



4x Recessed



4x Pendant



# The Value of Trust

We believe trust is to be earned. At the backbone of our customer experience is the firm commitment to foster faith, reliability and safety. Our certifications affirm the honest and thorough assessment of all our offerings.

Our standard 5 years warranty for all products serves as the promise of efficiency

## Certifications



**ISO 9001** is the standard to which our Quality Management System is certified to enable consistent processes to ensure safe and reliable products.



**IECEE CB** scheme is the world's first international system for the mutual acceptance of product safety test reports and certificates for electrical and electronic equipment, devices and components.



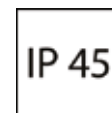
**CE Mark** is manufacturer's declaration that products meet the requirements of the applicable European Directives related to health, safety and environmental protection standards.



**RoHS** is the directive on the restriction on the use of certain hazardous substances in electrical and electronic equipment.



**IP20** confirms touch safe design with protection against solid objects up to 12 mm.



**IP45** confirms protection against solid objects over 1 mm and limited liquid ingress protection.