

S - SPOT

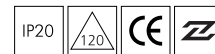
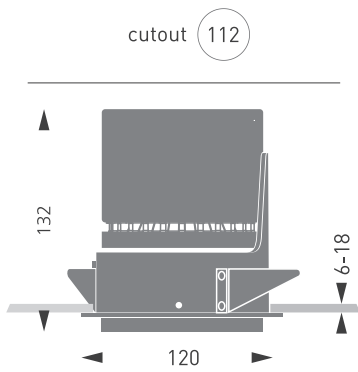
Recessed mounted Downlight

Suitable for LED lamp with lumen output for 5300 lm.
Recessed mounted downlight, with interchangeable reflectors for SP, MFL & WFL beams.

The new lighting technology with an efficient energy balance between heat and light, produces a IR/UV-free light, with a definite advantage in Power Consumption.

The innovative reflector technology designed for Micro silver segmented and also uses vacuum metalised, aluminum on plastic, making it virtually glare free. Pressure die-cast aluminum body with reflector ring.

Low maintenance due to lamp life of more than 50,000 hrs.



LED lamp lumen max upto 5300 lm*

- CCT (K)** 2700, 3000, 3500, 4000, 5700
2000K (920)
Marbeled Meat Warm in Food series
4000K (840)
Marbeled Meat Cool in Food series
- DC Current** 700mA - 1200mA
- Wattage** 25W-45W
- Input** 220-240V ~ 50/60Hz
- Reflector** Miro Silver Segmented
- Beam Angle** 19°, 30°, 45°, 60°

Note: All dimensions are in millimeters (mm).

