

Tunable LED Driver 300-600mA FLF 24/300-600/220-240 CC/BLE

Key Features

- BLE 4.2 Based non-flooding intelligent mesh
- Reliable and stable Wisilica application protocol with high networking capability
- Support control IOS or Android devices through Bluetooth connection
- Dimming of 5% to 100% can be achieved with a smooth Dimming Curve
- Suitable for CCT Tunable LED Lights
- High flexibility due to four different output currents
- Small housing for flexible luminaire designs
- Inbuilt Cable clamp in Driver Casing for independent mounting
- Zero downtime Over-the-Air (OTA) firmware updates

Specifications

- High Efficiency > 85% and THD < 15%
- Power Factor greater than 0.95
- Safety and EMC Standard Compliance
- Safety according to EN 61347-1, 61347-2-13, 62493
- RI suppression according to EN 55015 /CDN
- Line harmonics according to EN 61000-3-2
- Immunity according to EN 61547

Areas of application

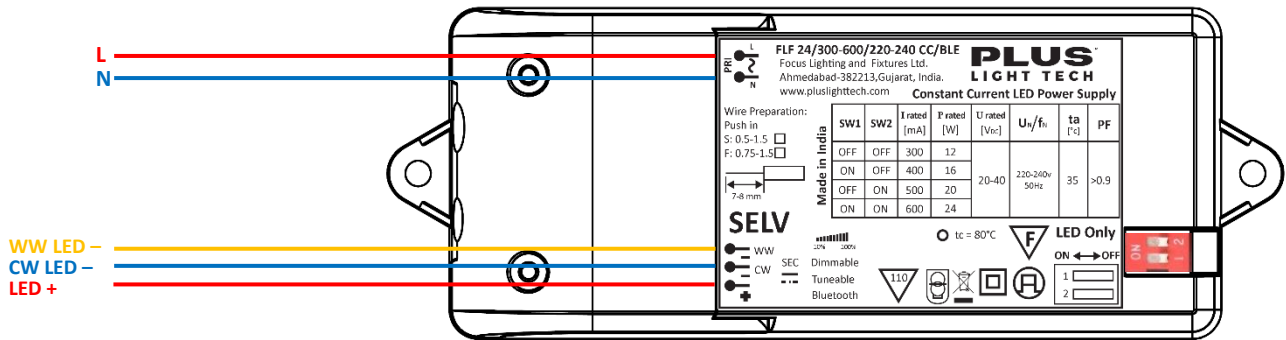
- Suitable for downlights, spotlights and LED panels
- Suitable for luminaires of protection classes I and II
- Suitable Colour Tunable Luminaries

Technical Specifications

	Item	Value /Unit/ Remarks
INPUT	Nominal Voltage	220-240 VAC
	Nominal Frequency	50-60 Hz
	AC Voltage Range	180-264 VAC Permitted Voltage Range
	DC Voltage Range	NA
	Maximum Voltage	264VAC 2Hrs
	Nominal Current	120mA 220V @ 21W Load
	Total Harmonic Distortion (THD)	<15%
	Power Factor	0.95 Full Load, 230V, 50 Hz
	Efficiency	>= 85% Full Load, 220V, 50 Hz, typical
	No-load Power	<1W 220V, typical
	Stand-by Power	NA
	Power Loss	4W at 220V Input @21W load Max
	Input Power	24W at 220V Input @ 21W Load Max
	Protection Class	II
	Inrush Current	< 5A twidth = 100us typical (measured at 50% Ipeak)
OUTPUT (CCT)	Nominal Voltage Range	20 - 40VDC
	Maximum Voltage	<60VDC Open Circuit
	Nominal Current	300/400/500/600mA
	Current Accuracy	+/- 5%
	Safety Isolation	SELV – equivalent 3.0 kVrms, Touch Current < 0.7mA
ENVIRONMENT	Ambient Temperature ta	35°C
	Maximum Case Temperature tc	80°C Measured on tc point indicated of the product label
	Max. Case temp. in fault condition	110°C
	Storage Temperature Range	-10....+35°C Cool down before operating
	Relative Humidity	5.....80% Not Condensing
	Surge Transient Protection	2.5 kV L/N according to IEC 61000-3-2 (ANSI C62.41 Cat. A...)
	Environmental Rating	Indoor
	IP rating	IP 20
	Mains Switching Cycles	>1,00,000
	Expected Lifetime	30,000 hrs @ ta=40°C , tc=85°C, 10% failure rate 50,000 hrs @ ta=30°C , tc=75°C, 10% failure rate

Wireless Module	Built in Module	Bluetooth Wisilica
Protection	Overheating protection	yes, automatic reversible
	Overload protection	yes, automatic reversible
	Short-circuit protection	yes, automatic reversible
	Hot plug-in protection	No, Hot plug-in or secondary switching of LEDs is not permitted and may cause a very high current to the LEDs.
Dimension	Dimensions	146x54x33mm
Weight	Weight	200g
Cable Details	Max. cable length	1.2m
	Cable cross section, input side	0.5...1.5 mm ²
	Cable cross section, output side	0.2...0.5 mm ²

Wiring Diagram:



Marking Details

FLF 24/300-600/220-240 CC/BLE
Focus Lighting and Fixtures Ltd.
Ahmedabad-382213, Gujarat, India.
www.pluslighttech.com

Constant Current LED Power Supply

Wire Preparation:
Push in
S: 0.5-1.5
F: 0.75-1.5

7-8 mm

SW1	SW2	I rated [mA]	P rated [W]	U rated [V _{DC}]	U _N /f _N	t _a [°C]	PF
OFF	OFF	300	12	20-40	220-240v 50Hz	35	>0.9
ON	OFF	400	16				
OFF	ON	500	20				
ON	ON	600	24				

SELV

WW
CW
SEC

Dimmable
Tuneable
Bluetooth

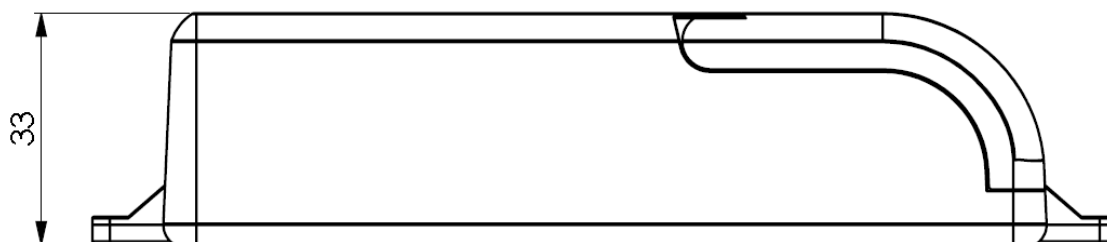
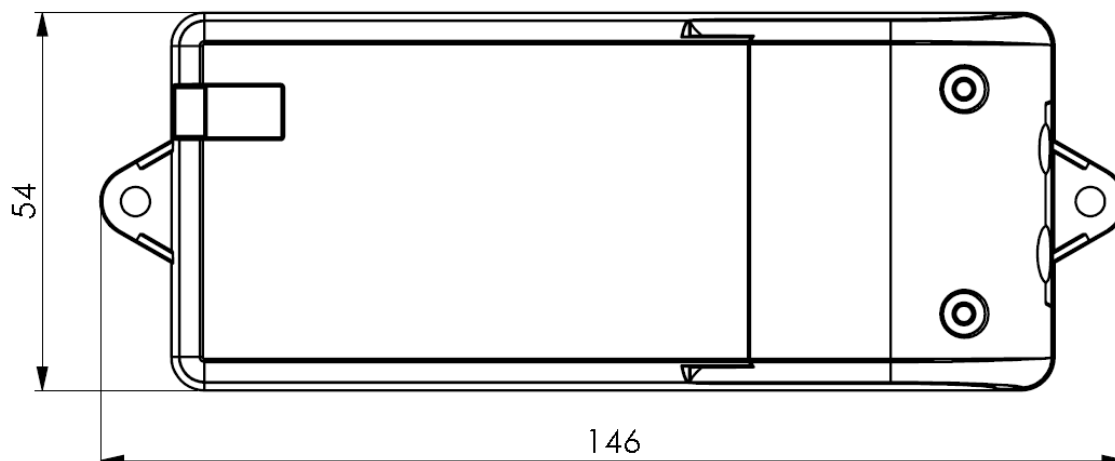
tc = 80°C

LED Only

ON ↔ OFF

1
 2

Overall Dimensions:



Focus Lighting constantly strives to improve its products and hence the specifications in this catalogue are intended as a general guide, and we may change some specification in interest of product improvement. For latest product information including photometric data please visit www.pluslighttech.com or contact our Sales representative.

© Focus Lighting & Fixtures Ltd. Registered Office : 1007-1010, Corporate Avenue, Sonawala Road, Goregaon East, Mumbai 400 063, India T +91-22-2686 5671-6 E: info@pluslighttech.com