

DEEPER | TECHNICAL DETAILS



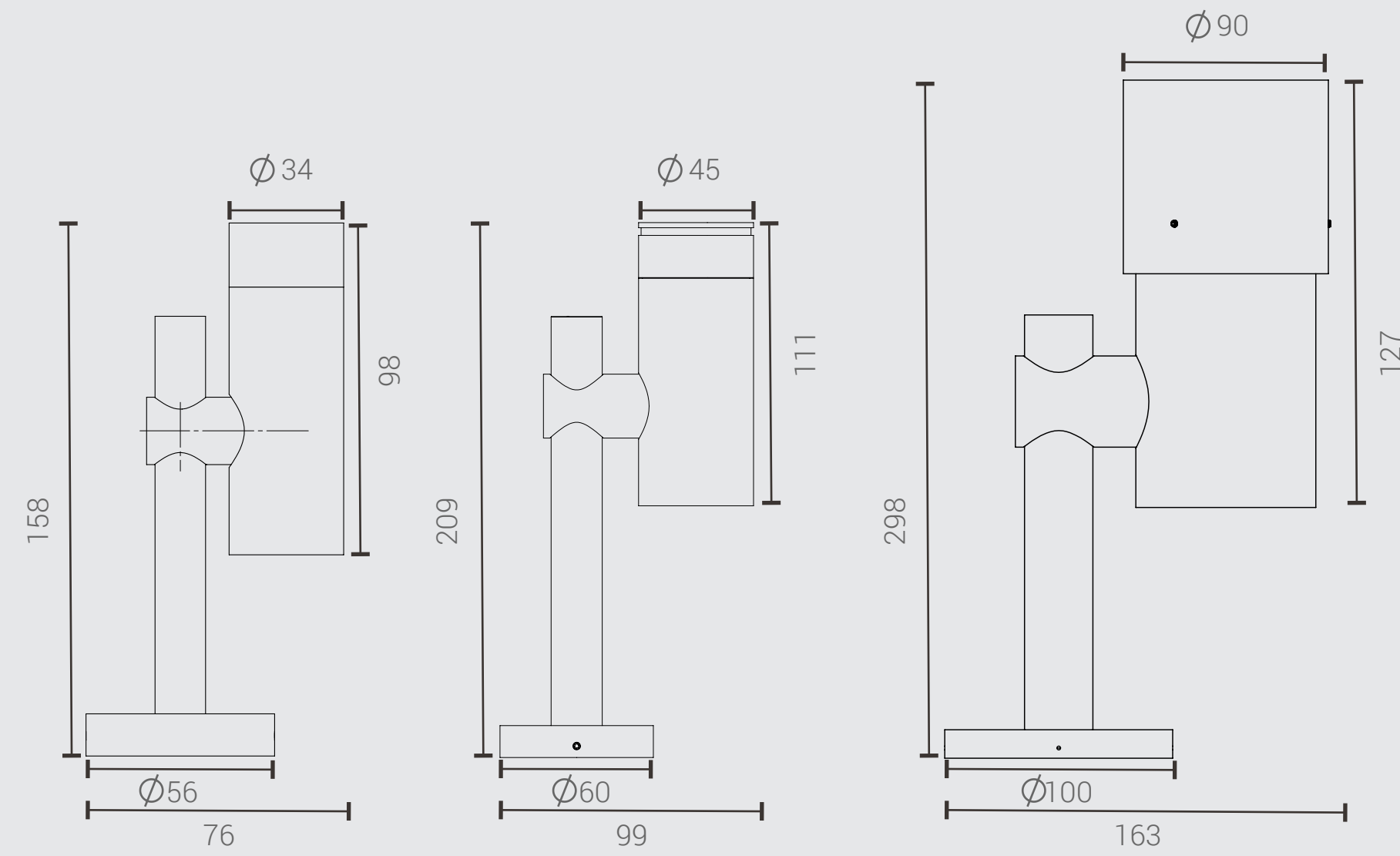
Available Colors: Black Green Brushed Silver Brushed Bronze Brushed Gold



	Deeper - S	Deeper - M	Deeper - L
Ip Rating :	IP 67	IP 67	IP 67
System Lumen :	336 lm	729 lm	2033 lm
System Wattage :	5.5 W (max)	12 W	25 W (max)
DC Current :	350 mA	700 mA	600 mA
Efficiency :	> 60%	> 60%	> 60%
Efficacy :	62 lm/W	61 lm/W	82 lm/W
CCT (K) :	2700K - 5700K	2700K - 5700K	2700K - 5700K
CRI :	> 80 & 90 +	> 80 & 90 +	> 80 & 90 +
Mcadam :	3SDCM	3SDCM	3SDCM
Lifetime :	L80/B10 (>50,000 HRS@Ta 30°C)		
Beam Angle :	FWHM - 10° / 45°	FWHM - 10° / 26° / 35° (Oval Beam 12+40°)	FWHM - 15° / 26° / 36° / 60°
UGR Value :	< 21	< 21	< 21

DRIVER SPECIFICATIONS

Input :	220 - 240V ~ 50/60 Hz		
Integration :	Non - Integrated	Non - Integrated	Non - Integrated
Tunable :	Yes	Yes	Yes
Dimmable :	Yes	Yes	Yes
RGBW :	No	Yes	Yes
Driver Type :	On-Off/ Dali 2.0	On-Off/ Dali2.0/ DT8/Dali DMX	On-Off/Dali2.0/ DT8



All dimensions are in mm

