

# HEWEN | TECHNICAL DETAILS



Available Colors: Black White Brushed Silver Brushed Bronze Brushed Gold



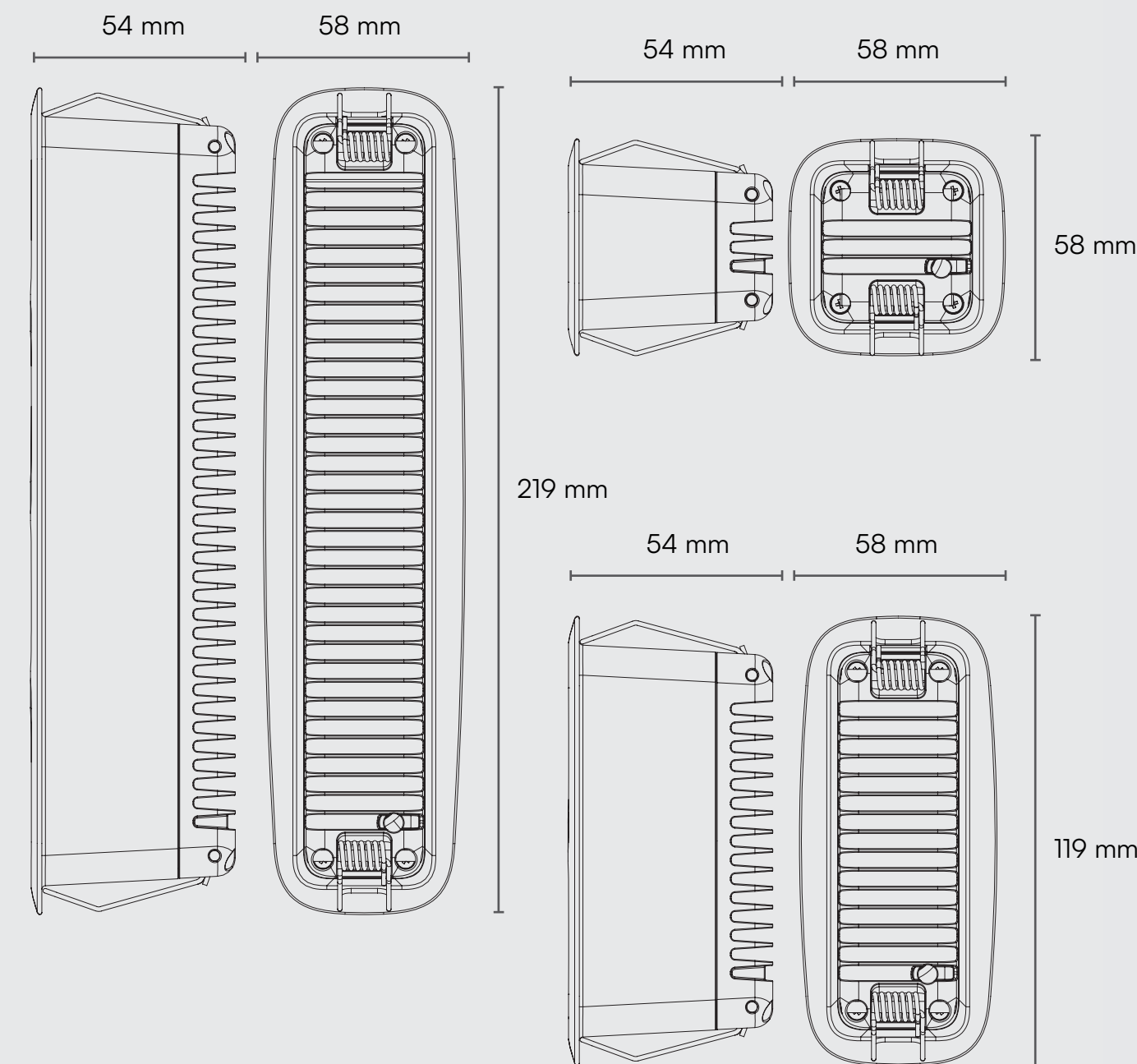
5 Years Warranty



	Hewen 1x	Hewen 2x	Hewen 4x
Ip Rating :	IP 20	IP 20	IP 20
System Lumen :	208 - 222 lm	344 - 360 lm	592 - 736 lm
System Wattage :	5.5 W	8.5 W	14 W
DC Current :	300 mA	500 mA	500 mA
Efficiency :	> 75 - 90%	> 75 - 90%	> 75 - 90%
Efficacy :	43 - 45 lm/W	42 - 43 lm/W	43 - 53 lm/W
CCT (K) :	2700K - 5700K	2200K - 5700K	2200K - 5700K
CRI :	> 80 & 90+	> 80 & 90+	> 80 & 90 +
Mcadam :	3SDCM	3SDCM	3SDCM
Lifetime :	L80/B10 (>50,000 HRS@Ta 30°C)		
Beam Angle :	FWHM - 34°/ 59° FWTM - 49°/ 80°	FWHM - 34°/ 59° FWTM - 49°/ 80°	FWHM - 34°/ 59° FWTM - 49°/ 80°
UGR Value :	< 10/ 16	< 10/16	< 10/15

## DRIVER SPECIFICATIONS

Input :	220 - 240V ~ 50/60 Hz		
Integration :	Non - Integrated	Non - Integrated	Non - Integrated
Tunable :	Yes	Yes	Yes
Dimmable :	No	Yes	Yes
Driver Type :	On-Off/ Dali 2.0/ AD/ TD/ BLE		



### Cutout Dimentions

1x : 47 x 47

2x : 107 x 39

4x : 207 x 39

All dimensions are in mm

