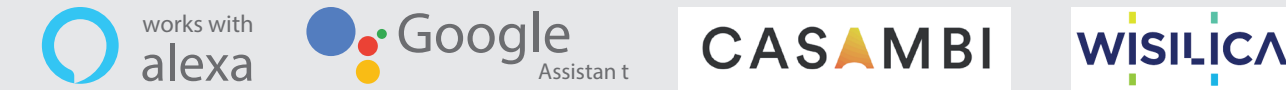
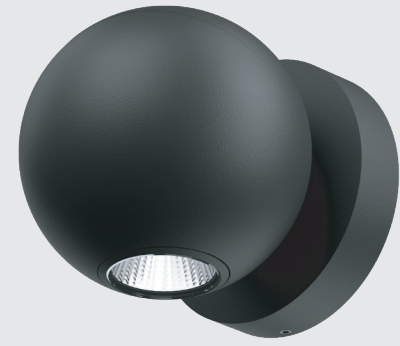


TUMBLERR | TECHNICAL DETAILS

Available Colors: Black

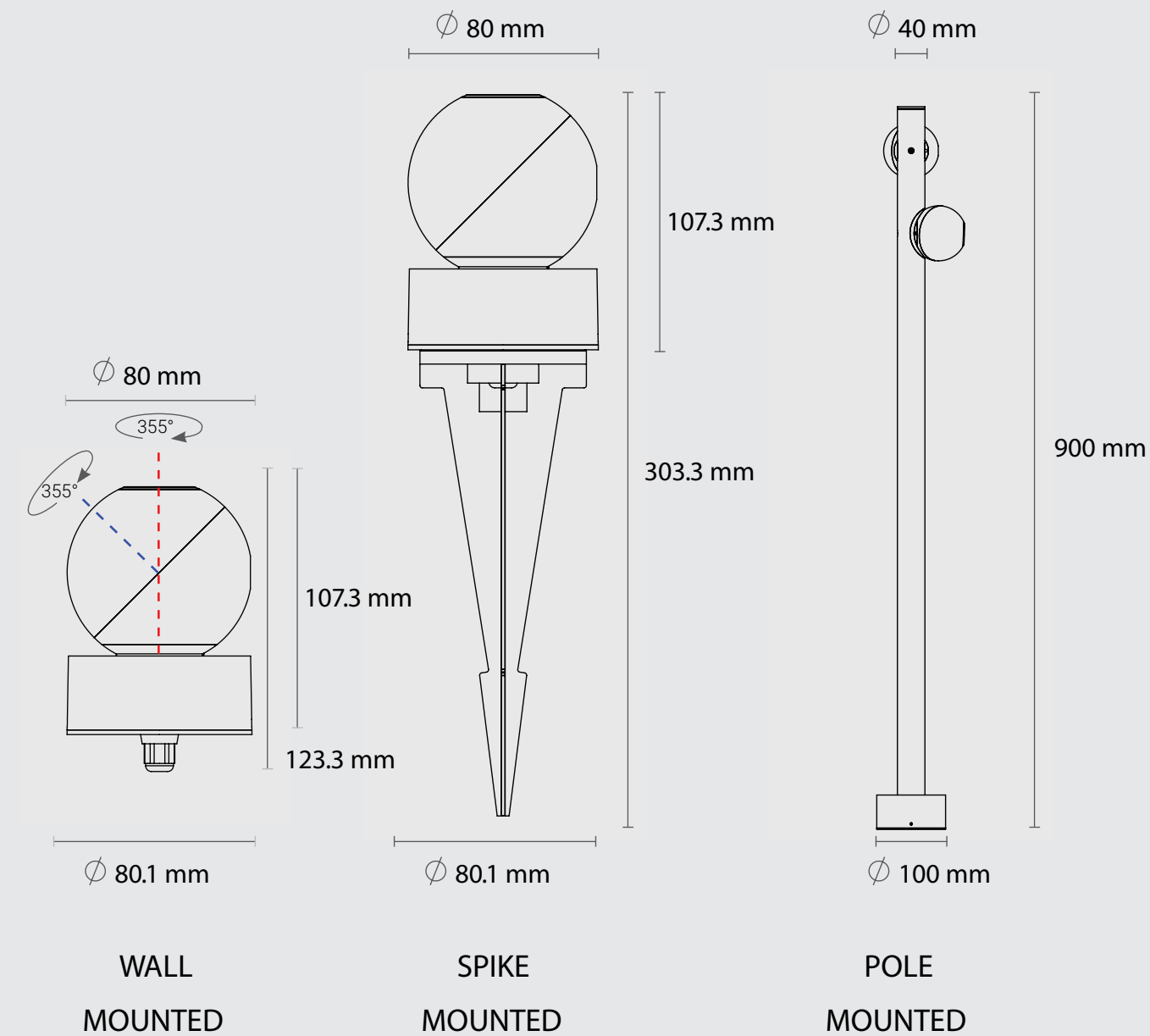


Temblerr

Ip Rating :	IP 67
System Lumen :	900 - 1050 lm
System Wattage :	10 W
DC Current :	300 mA
Efficiency :	> 75 - 90%
Efficacy :	92 lm/W
CCT (K) :	2700K - 5700K
CRI :	> 80 & 90 +
Mcadam :	3SDCM
Lifetime :	L80/B10 (>50,000 HRS@Ta 30°C)
Beam Angle :	28°/ 35°/ 48°/ 62°
UGR Value :	< 10

DRIVER SPECIFICATIONS

Input :	220 - 240V ~ 50/60 Hz
Integration :	Non - Integrated
Tunable :	NA
Dimmable :	NA
Driver Type :	On-Off



All dimensions are in mm