

MAGNUS

Recessed | 1x

Introducing adjustable recessed spotlights that are discreet and glare-free. The luminaries can be tilted and adjusted. They can also achieve a narrow, medium or a wide beam. This helps them to not only be well focused on the subject but also get the desired accent.



Colors Available



System Lumen :	393 - 448 lm
System Wattage :	6 W (max)
DC Current :	350 mA
Efficiency :	>75-90%
Efficacy :	72-81 lm/W
CCT (K) :	2200K - 5700K
CRI :	>80 & 90 +
Mcadam :	3SDCM
Lifetime :	L80/B10(>50,000 hrs @ Ta 30°C)
Beam Angle :	FWTM/FWHM 45°/33° (Narrow) FWTM/FWHM 61°/38° (Medium) FWTM/FWHM 85°/70° (Wide)
UGR Value	< 10/16.6/28.4

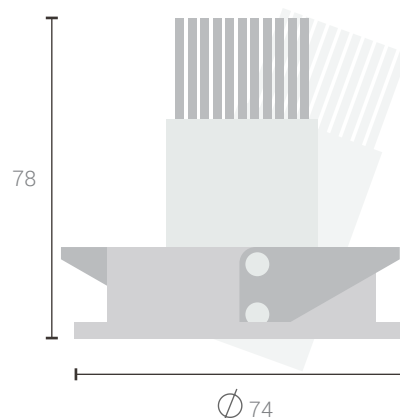
Driver Specs:

Input :	220 - 240V ~ 50/60 Hz
Integration :	Non - Integrated
Tunable :	No
Dimmable :	No
Available on Request :	On-Off/ Dali 2.0/ DT8.0/ AD/ TD



Warranty 5 years

BLE SMART



Cutout Diameter : 67 mm

All dimensions are in mm

For product ordering codes and installation refer to end pages

