

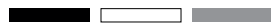
# MAGNUS

## Recessed | 2x

Introducing adjustable recessed spotlights that are discreet and glare-free. The luminaries can be tilted and adjusted. They can also achieve a narrow, medium or a wide beam. This helps them to not only be well focused on the subject but also get the desired accent.



Colors Available



System Lumen :	736 - 878 lm
System Wattage :	10 W (max)
DC Current :	350 mA
Efficiency :	>75-90%
Efficacy :	78 - 93 lm/W
CCT (K) :	2200K - 6500K
CRI :	>80 & 90 +
Mcadam :	3SDCM
Lifetime :	L80/B10(>50,000 hrs@Ta 30°C)
Beam Angle :	FWTM/FWHM 47°/34° FWTM/FWHM 69°/49° FWTM/FWHM 97°/84°
UGR Value	< 10/ 12.4

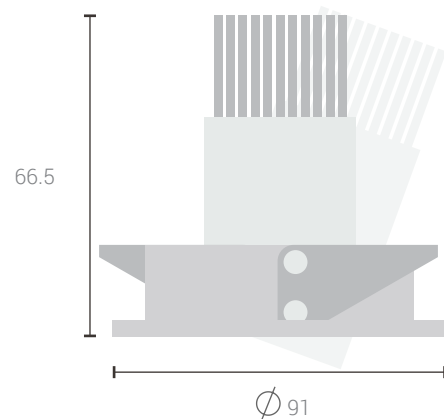
### Driver Specs:

Input :	220 - 240V ~ 50/60 Hz
Integration :	Non - Integrated
Tunable :	Yes
Dimmable :	Yes
Driver Type :	On-Off/ Dali2.0/DT8/AD/TD



Warranty 5 years

**BLE** SMART



Cutout Diameter : 85 mm

All dimensions are in mm

For product ordering codes and installation refer to end pages

