

MAGNUS

Recessed | 4x

Introducing adjustable recessed spotlights that are discreet and glare-free. The luminaries can be tilted and adjusted. They can also achieve a narrow, medium or a wide beam. This helps them to not only be well focused on the subject but also get the desired accent.



Colors Available



System Lumen :	1069-1608 lm
System Wattage :	19 W (max)
DC Current :	700 mA
Efficiency :	>75-90%
Efficacy :	57-85 lm/W
CCT (K) :	2200K - 6500K
CRI :	>80 & 90 +
Mcdam :	3SDCM
Lifetime :	L80/B10(>50,000 hrs@Ta 30°C)
Beam Angle :	FWTM/FWHM 48°/36° FWTM/FWHM 70°/52° FWTM/FWHM 97°/83°
UGR Value	< 10, 15.6, 24.7

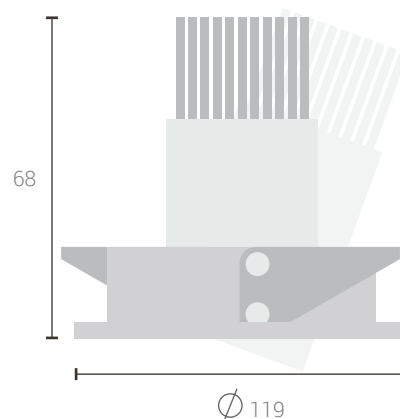
Driver Specs:

Input :	220 - 240V ~ 50/60 Hz
Integration :	Non - Integrated
Tunable :	Yes
Dimmable :	Yes
Available on Request :	On-Off/ Dali 2.0/ DT8.0/ AD/ TD



Warranty 5 years

BLE SMART



Cutout Diameter : 113 mm

All dimensions are in mm

For product ordering codes and installation refer to end pages

