

# Array 4x

ACDC Track Spot (Narrow)

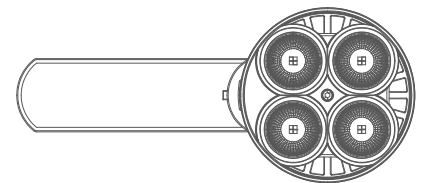
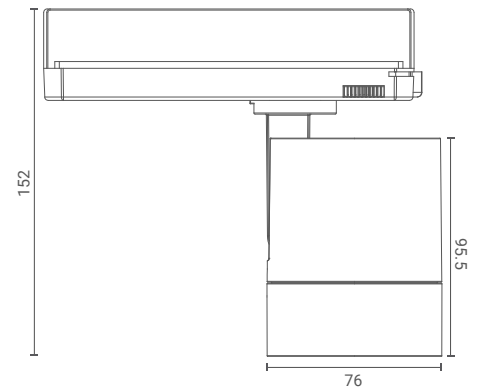
Introducing track mounted spotlight that highlight the desired subject or place and provide optimum illumination by being nondescript.

The simplicity of its form provides smooth integration in architectural features.



## Product Specs :

Model name :	<b>Array 4x ACDC Track Spot Narrow</b>
Weight:	
Certificate Available:	<b>Self Declaration Certificates</b>
Colors Available:	<b>Black / White</b>
System Lumen:	<b>1887 lm</b>
System Wattage:	<b>24 W</b>
DC Current:	<b>900 mA</b>
Efficacy:	<b>79 lm/W</b>
CCT(K) :	<b>3000K</b>
CRI:	<b>&gt; 90</b>
Bining:	<b>≤3SDCM</b>
Lifetime:	<b>L80/B10 (&gt;50,000hrs@Ta-30°C)</b>
Beam Angle:	<b>35°</b>
IP Rating:	<b>IP20</b>
UGR:	<b>&lt;1</b>
Efficiency:	<b>&gt;92%</b>



## Driver Specs :

Input:	<b>220-240V ~50/60Hz</b>
Integrated / Non-Integrated	<b>Integrated</b>
Driver Type:	<b>On-Off/ Dali 2.0/ DT8.0/ BLE/ AD</b>
THD:	<b>&lt;10%</b>
Tunable & Dimmable:	<b>Yes</b>

