

Array 4x

ACDC Track Spot (Wide)

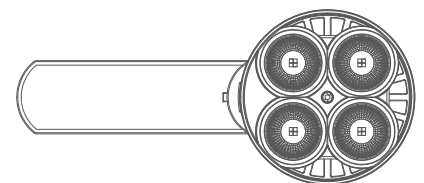
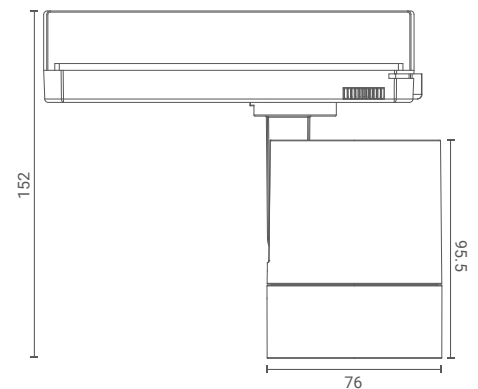
Introducing track mounted spotlight that highlight the desired subject or place and provide optimum illumination by being nondescript.

The simplicity of its form provides smooth integration in architectural features.



Product Specs :

Model name :	Array 4x ACDC Track Spot Wide
Weight:	
Certificate Available:	Self Declaration Certificates
Colors Available:	Black / White
System Lumen:	2125 lm
System Wattage:	24 W
DC Current:	900 mA
Efficacy:	88 lm/W
CCT(K) :	3000K
CRI:	> 90
Bining:	≤3SDCM
Lifetime:	L80/B10 (>50,000hrs@Ta-30°C)
Beam Angle:	85°
IP Rating:	IP20
UGR:	<26
Efficiency:	>92%



Driver Specs :

Input:	220-240V ~50/60Hz
Integrated / Non-Integrated	Integrated
Driver Type:	On-Off/ Dali 2.0/ DT8.0/ BLE/ AD
THD:	<10%
Tunable & Dimmable:	Yes

