

Array 7x

ACDC Track Spot (Wide)

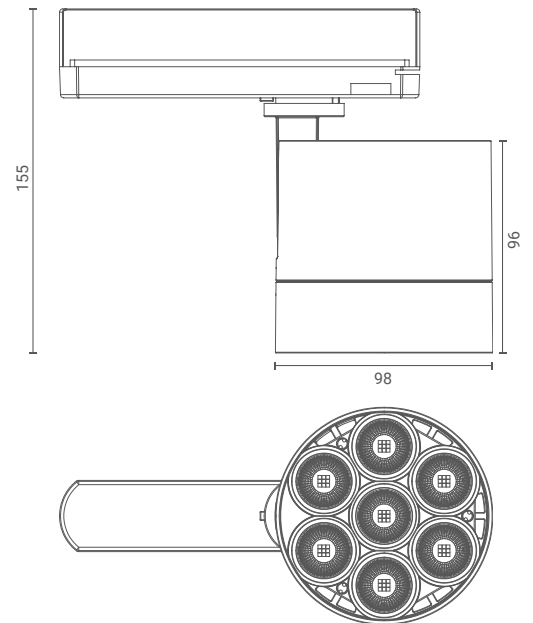
Introducing track mounted spotlight that highlight the desired subject or place and provide optimum illumination by being nondescript.

The simplicity of its form provides smooth integration in architectural features.



Product Specs :

| | |
|------------------------|--|
| Model name : | Array 7x ACDC Track Spot Wide |
| Weight: | |
| Certificate Available: | Self Declaration Certificates |
| Colors Available: | Black / White |
| System Lumen: | 3325 lm |
| System Wattage: | 35 W |
| DC Current: | 800 mA |
| Efficacy: | 95 lm/W |
| CCT(K) : | 3000K |
| CRI: | > 90 |
| Bining: | ≤3SDCM |
| Lifetime: | L80/B10 (>50,000hrs@Ta-30°C) |
| Beam Angle: | 85° |
| IP Rating: | IP20 |
| UGR: | <24 |
| Efficiency: | >92% |



Driver Specs :

| | |
|-----------------------------|---|
| Input: | 220-240V ~50/60Hz |
| Integrated / Non-Integrated | Integrated |
| Driver Type: | On-Off/ Dali 2.0/ DT8.0/ BLE/ AD |
| THD: | <10% |
| Tunable & Dimmable: | Yes |

