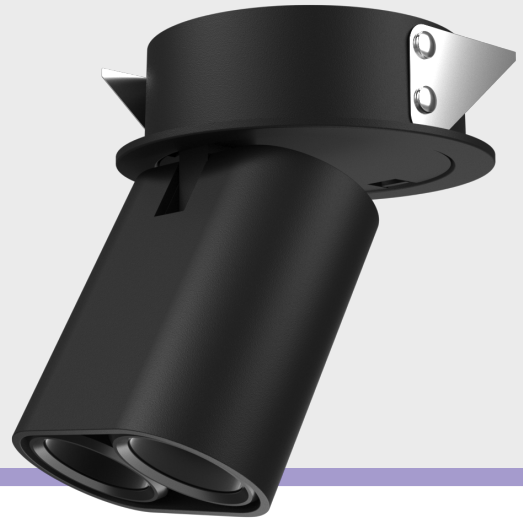


# Magnus 2x

Semi Recessed Downlight (Super Spot)

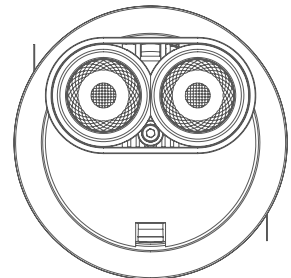
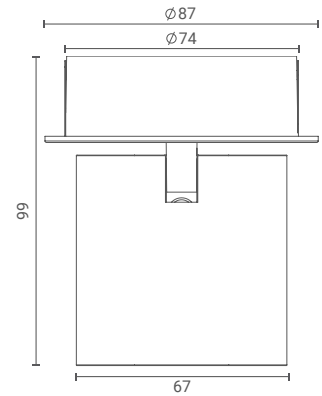
Introducing ceiling- semi recessed downlight that highlight the desired subject or place and provide optimum illumination by being nondescript.

The simplicity of its form provides smooth integration in architectural features.



## Product Specs :

|                        |  |
|------------------------|--|
| Model name :           | <b>Magnus 2x Semi Recessed Superspot</b> |
| Weight:                |  |
| Certificate Available: | <b>Self Declaration Certificates</b>     |
| Colors Available:      | <b>Metallic Silver / Black / White</b>   |
| System Lumen:          | <b>632 lm</b>                            |
| System Wattage:        | <b>10 W</b>                              |
| DC Current:            | <b>350 mA</b>                            |
| Efficacy:              | <b>64 lm/W</b>                           |
| CCT(K) :               | <b>3000K</b>                             |
| CRI:                   | <b>&gt; 90</b>                           |
| Bining:                | <b>≤3SDCM</b>                            |
| Lifetime:              | <b>L80/B10 (&gt;50,000hrs@Ta-30°C)</b>   |
| Beam Angle:            | <b>15°</b>                               |
| IP Rating:             | <b>IP20</b>                              |
| UGR:                   | <b>&lt;7</b>                             |



## Driver Specs :

|                     |                                     |
|---------------------|-------------------------------------|
| Input:              | <b>220-240V ~50/60Hz</b>            |
| Driver Type:        | <b>On-Off/ Dali 2.0/ BLE/AD/ TD</b> |
| THD:                | <b>&lt;10%</b>                      |
| Tunable & Dimmable: | <b>Yes</b>                          |

