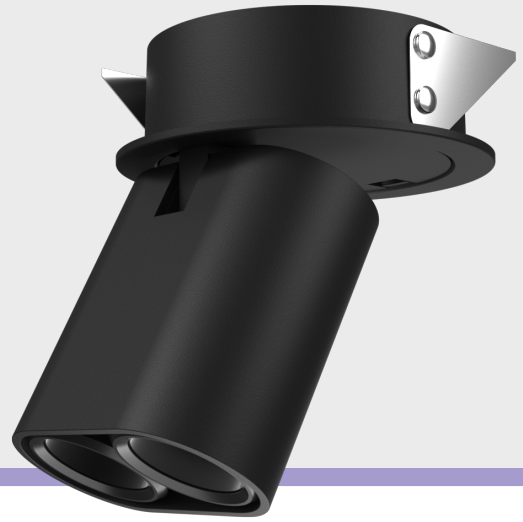


# Magnus 2x

*Semi Recessed Downlight (Super Spot)*

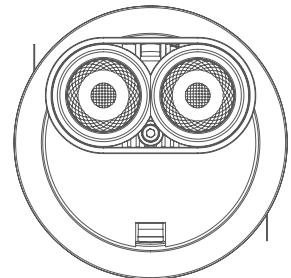
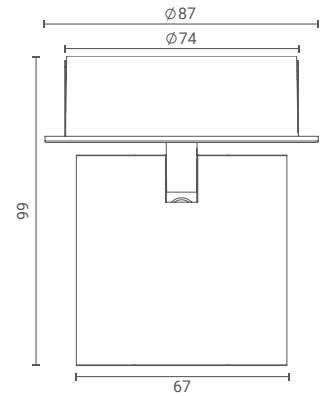
Introducing ceiling- semi recessed downlight that highlight the desired subject or place and provide optimum illumination by being nondescript.

The simplicity of its form provides smooth integration in architectural features.



## Product Specs :

Model name :	<b>Magnus 2x Semi Recessed Superspot</b>
Weight:	
Certificate Available:	<b>Self Declaration Certificates</b>
Colors Available:	<b>Metallic Silver / Black / White</b>
System Lumen:	<b>645 lm</b>
System Wattage:	<b>10 W</b>
DC Current:	<b>350 mA</b>
Efficacy:	<b>64 lm/W</b>
CCT(K) :	<b>4000K</b>
CRI:	<b>&gt; 90</b>
Bining:	<b>≤3SDCM</b>
Lifetime:	<b>L80/B10 (&gt;50,000hrs@Ta-30°C)</b>
Beam Angle:	<b>15°</b>
IP Rating:	<b>IP20</b>
UGR:	<b>&lt;7</b>



## Driver Specs :

Input:	<b>220-240V ~50/60Hz</b>
Driver Type:	<b>On-Off/ Dali 2.0/ BLE/AD/ TD</b>
THD:	<b>&lt;10%</b>
Tunable & Dimmable:	<b>Yes</b>

