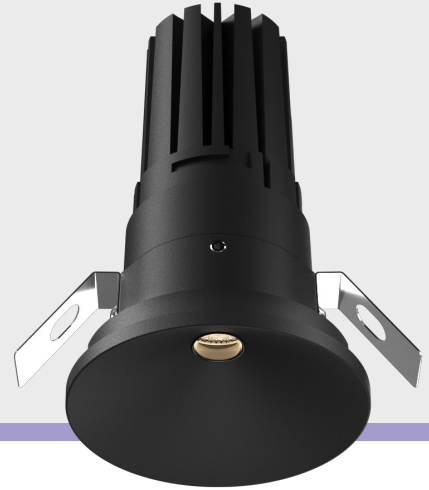


Perdu

Conical Deep Recessed Downlight 10mm (Narrow)

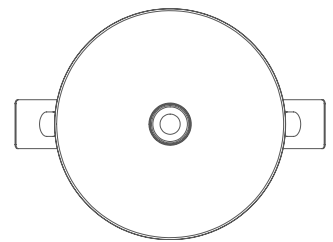
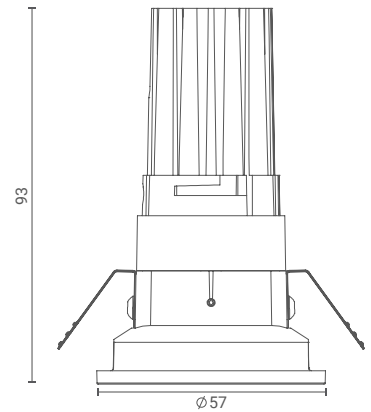
Introducing ceiling- recessed downlight that highlight the desired subject or place and provide optimum illumination by being nondescript.

The simplicity of its form provides smooth integration in architectural features.



Product Specs :

Model name :	Perdu Conical Deep Recessed 10mm Narrow
Weight:	150gm
Certificate Available:	Self Declaration Certificates
Colors Available:	Black / White
System Lumen:	332 lm
System Wattage:	8 W
DC Current:	500 mA
Efficacy:	44 lm/W
CCT(K) :	4000K
CRI:	> 90
Bining:	≤3SDCM
Lifetime:	L80/B10 (>50,000hrs@Ta-30°C)
Beam Angle:	37°
IP Rating:	IP20
UGR:	<14
Efficiency:	>75%



Driver Specs :

Input:	220-240V ~50/60Hz
Integrated / Non-Integrated	Non-Integrated
Driver Type:	On-Off/ Dali 2.0/ BLE/ AD/ TD
THD:	<10%
Tunable & Dimmable:	Only Dimmable

