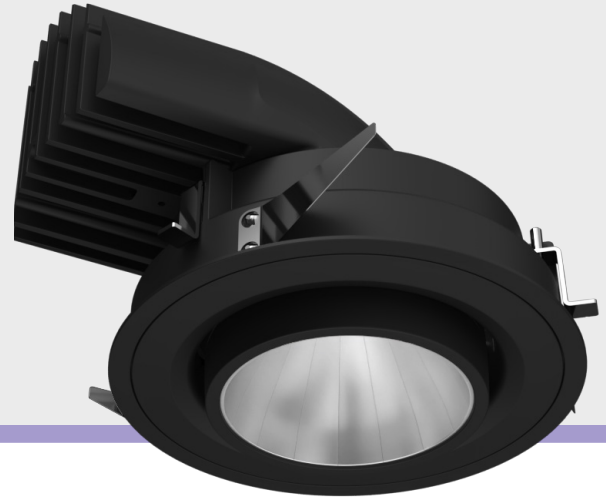


# Boom M

## Recessed Downlight (Segmented Reflector)

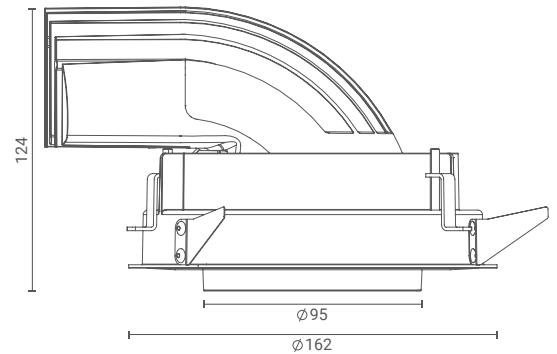
Introducing ceiling-recessed downlight that highlight the desired subject or place and provide optimum illumination by being nondescript.

The simplicity of its form provides smooth integration in architectural features.



### Product Specs :

Model name :	<b>Boom M Recessed Downlight (Segmented Reflector)</b>
Weight:	<b>1.4Kg</b>
Certificate Available:	<b>Self Declaration Certificates</b>
Colors Available:	<b>Black / White</b>
System Lumen:	<b>3048 lm</b>
System Wattage:	<b>27 W</b>
DC Current:	<b>650 mA</b>
Efficacy:	<b>114 lm/W</b>
CCT(K) :	<b>4000K</b>
CRI:	<b>&gt; 90</b>
Bining:	<b>≤3SDCM</b>
Lifetime:	<b>L80/B10 (&gt;50,000hrs@Ta-30°C)</b>
Beam Angle:	<b>18°</b>
IP Rating:	<b>IP20</b>
UGR:	<b>&lt;16</b>
Efficiency:	<b>&gt;93%</b>



### Driver Specs :

Input:	<b>220-240V ~50/60Hz</b>
Driver Type:	<b>On-Off/ Dali 2.0/ DT8.0/ BLE/ AD/ TD</b>
THD:	<b>&lt;10%</b>
Tunable & Dimmable:	<b>Only Dimmable</b>

