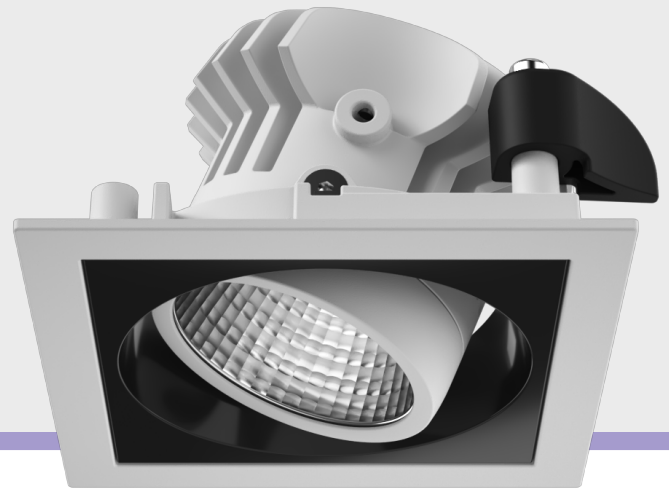


Neo Quad FT

Recessed Downlight

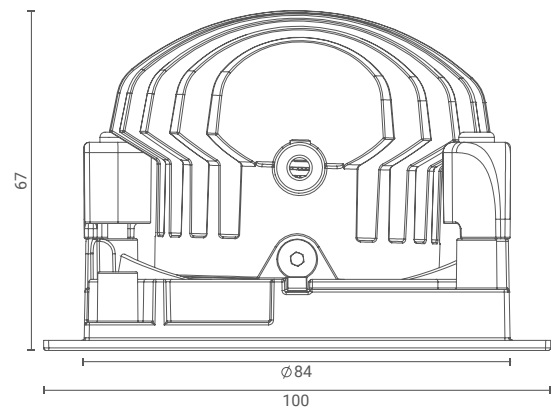
Introducing ceiling-recessed downlight that highlight the desired subject or place and provide optimum illumination by being nondescript.

The simplicity of its form provides smooth integration in architectural features.



Product Specs :

| | |
|------------------------|--------------------------------|
| Model name : | Neo Quad FT Recessed Downlight |
| Weight: | 0.3kg |
| Certificate Available: | Self Declaration Certificates |
| Colors Available: | Black / White |
| System Lumen: | 1099 lm |
| System Wattage: | 12 W |
| DC Current: | 300 mA |
| Efficacy: | 93 lm/W |
| CCT(K) : | 3000K |
| CRI: | > 90 |
| Bining: | ≤3SDCM |
| Lifetime: | L80/B10 (>50,000hrs@Ta-30°C) |
| Beam Angle: | 24° |
| IP Rating: | IP20 |
| UGR: | <10 |
| Efficiency: | >93% |



Driver Specs :

| | |
|---------------------|-----------------------------|
| Input: | 220-240V ~50/60Hz |
| Driver Type: | On-Off/ Dali2/DT8/AD/TD/BLE |
| THD: | <10% |
| Tunable & Dimmable: | Only Dimmable |

