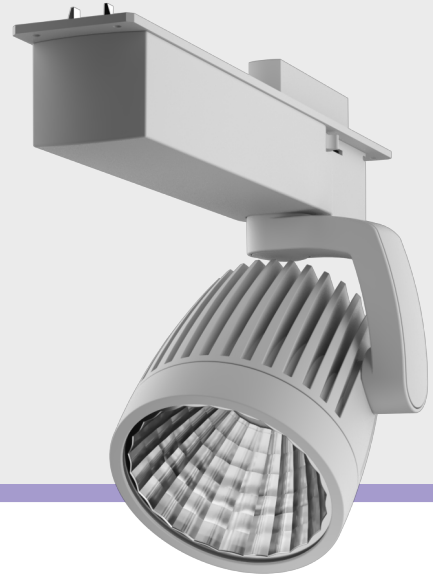


Ray M HSG Driver

Track Spot

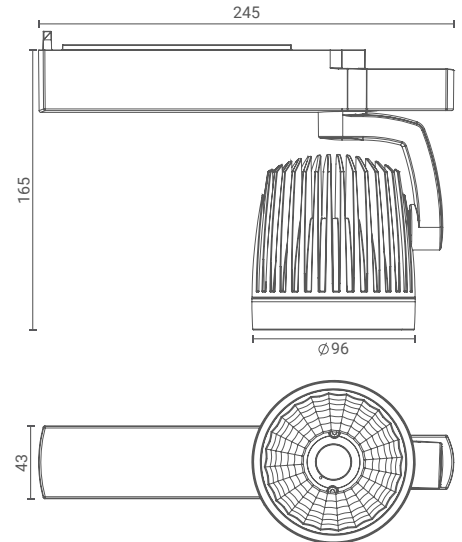
Introducing track mounted spotlight that highlight the desired subject or place and provide optimum illumination by being nondescript.

The simplicity of its form provides smooth integration in architectural features.



Product Specs :

Model name :	Ray M HSG Driver Track Spot
Weight:	0.7kg
Certificate Available:	Self Declaration Certificates
Colors Available:	Black / White
System Lumen:	3623 lm
System Wattage:	35 W
DC Current:	900 mA
Efficacy:	104 lm/W
CCT(K) :	4000K
CRI:	> 90
Bining:	≤3SDCM
Lifetime:	L80/B10 (>50,000hrs@Ta-30°C)
Beam Angle:	27°
IP Rating:	IP20
UGR:	<16
Efficiency:	>93%



Driver Specs :

Input:	220-240V ~50/60Hz
Driver Type:	On-Off/ Dali2/DT8/AD/TD/BLE
THD:	<10%
Tunable & Dimmable:	Only Dimmable

