

S Spot

HSG Track Spot

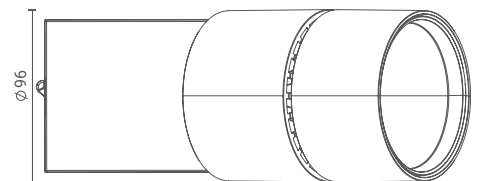
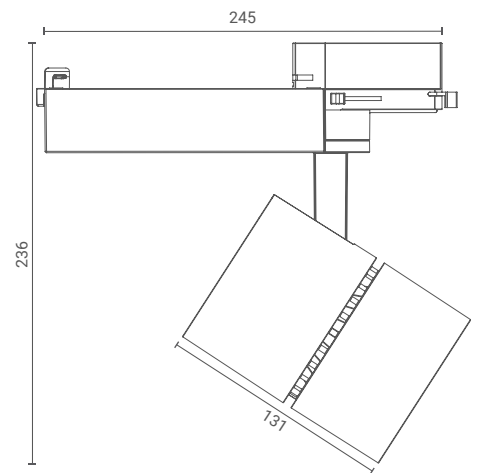
Introducing track mounted spotlight that highlight the desired subject or place and provide optimum illumination by being nondescript.

The simplicity of its form provides smooth integration in architectural features.



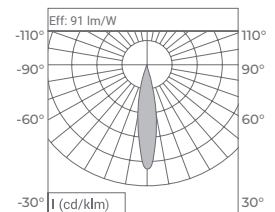
Product Specs :

| | |
|------------------------|--|
| Model name : | S Spot HSG Track Spot |
| Weight: | 1.1kg |
| Certificate Available: | Self Declaration Certificates |
| Colors Available: | Metallic Silver / Black / White |
| System Lumen: | 3065 lm |
| System Wattage: | 34 W |
| DC Current: | 900 mA |
| Efficacy: | 91 lm/W |
| CCT(K) : | 3500K |
| CRI: | > 90 |
| Bining: | ≤3SDCM |
| Lifetime: | L80/B10 (>50,000hrs@Ta-30°C) |
| Beam Angle: | 18° |
| IP Rating: | IP20 |
| UGR: | <16 |
| Efficiency: | >93% |



Driver Specs :

| | |
|---------------------|----------------------------|
| Input: | 220-240V ~50/60Hz |
| Driver Type: | On-Off/ DT2/DT8/BLE |
| THD: | <10% |
| Tunable & Dimmable: | Only Dimmable |



| Height | Diameter |
|--------|----------|
| 1 m | 39 cm |
| 2 m | 64 cm |
| 3 m | 95 cm |
| 4 m | 127 cm |
| 5 m | 159 cm |

