

S Spot

ACDC Track Spot

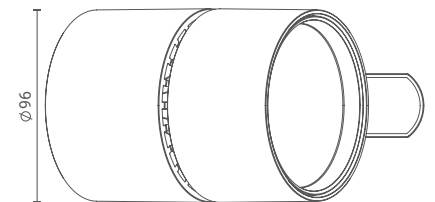
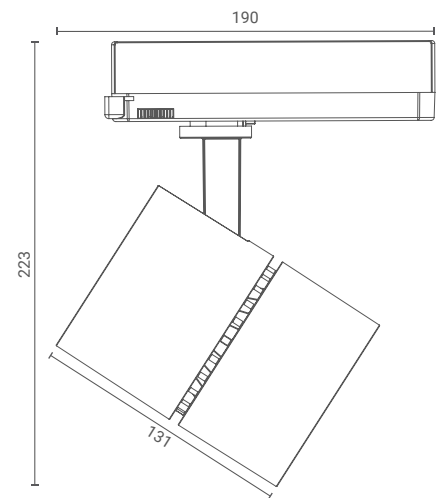
Introducing track mounted spotlight that highlight the desired subject or place and provide optimum illumination by being nondescript.

The simplicity of its form provides smooth integration in architectural features.



Product Specs :

Model name :	S Spot ACDC Track Spot
Weight:	1.1kg
Certificate Available:	Self Declaration Certificates
Colors Available:	Metallic Silver / Black / White
System Lumen:	2724 lm
System Wattage:	35 W
DC Current:	900 mA
Efficacy:	77 lm/W
CCT(K) :	3000K
CRI:	> 90
Bining:	≤3SDCM
Lifetime:	L80/B10 (>50,000hrs@Ta-30°C)
Beam Angle:	44°
IP Rating:	IP20
UGR:	<16
Efficiency:	>93%



Driver Specs :

Input:	220-240V ~50/60Hz
Driver Type:	On-Off/ DT2/DT8/BLE
THD:	<10%
Tunable & Dimmable:	Only Dimmable

