

# S Spot

## ACDC Track Spot

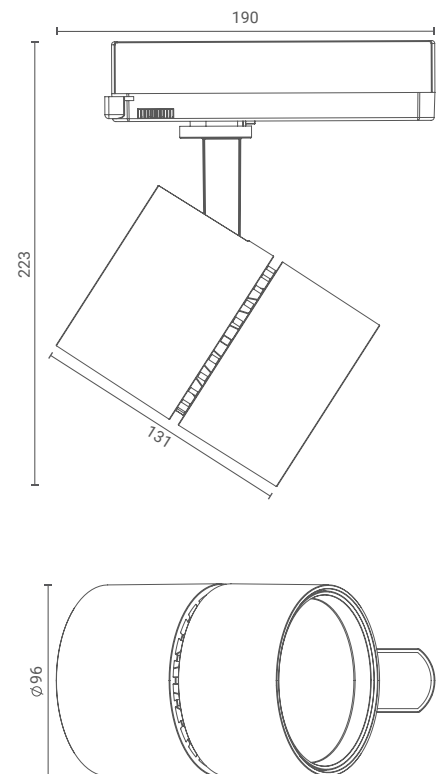
Introducing track mounted spotlight that highlight the desired subject or place and provide optimum illumination by being nondescript.

The simplicity of its form provides smooth integration in architectural features.



### Product Specs :

Model name :	<b>S Spot ACDC Track Spot</b>
Weight:	<b>1.1kg</b>
Certificate Available:	<b>Self Declaration Certificates</b>
Colors Available:	<b>Metallic Silver / Black / White</b>
System Lumen:	<b>2952 lm</b>
System Wattage:	<b>35 W</b>
DC Current:	<b>900 mA</b>
Efficacy:	<b>84 lm/W</b>
CCT(K) :	<b>3000K</b>
CRI:	<b>&gt; 90</b>
Bining:	<b>≤3SDCM</b>
Lifetime:	<b>L80/B10 (&gt;50,000hrs@Ta-30°C)</b>
Beam Angle:	<b>61°</b>
IP Rating:	<b>IP20</b>
UGR:	<b>&lt;20</b>
Efficiency:	<b>&gt;93%</b>



### Driver Specs :

Input:	<b>220-240V ~50/60Hz</b>
Driver Type:	<b>On-Off/ DT2/DT8/BLE</b>
THD:	<b>&lt;10%</b>
Tunable & Dimmable:	<b>Only Dimmable</b>

