

Magnus Loop Duo

Surface Downlight (Medium)

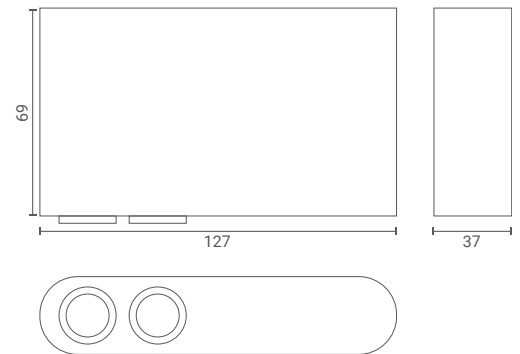
Introducing ceiling- surface Downlight that highlight the desired subject or place and provide optimum illumination by being nondescript.

The simplicity of its form provides smooth integration in architectural features.



Product Specs :

Model name :	Magnus Loop Duo Surface Downlight Medium
Weight:	350gm
Certificate Available:	Self Declaration Certificates
Colors Available:	Black / White
System Lumen:	848 lm
System Wattage:	10 W
DC Current:	350 mA
Efficacy:	88 lm/W
CCT(K) :	5700K
CRI:	> 90
Bining:	≤3SDCM
Lifetime:	L80/B10 (>50,000hrs@Ta-30°C)
Beam Angle:	52°
IP Rating:	IP20
UGR:	<19
Efficiency:	>92%



Driver Specs :

Input:	220-240V ~50/60Hz
Driver Type:	On-Off/ Dali 2.0/ DT8.0/ BLE
THD:	<10%
Tunable & Dimmable:	Yes

